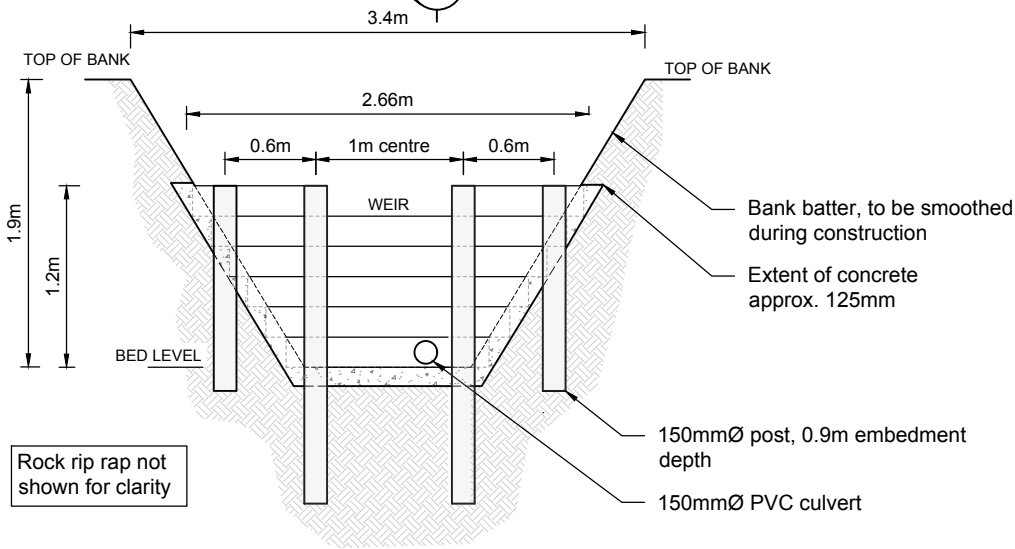
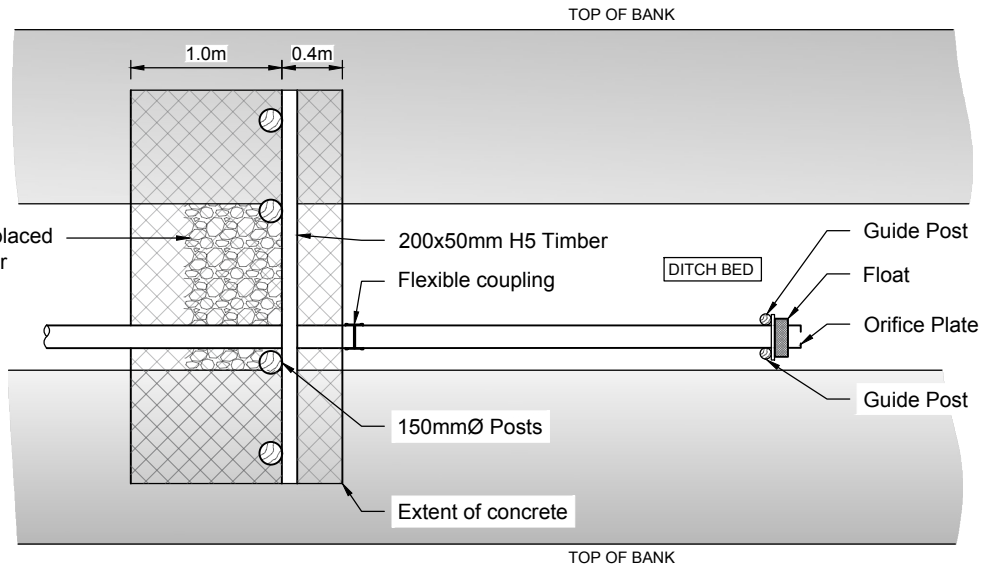
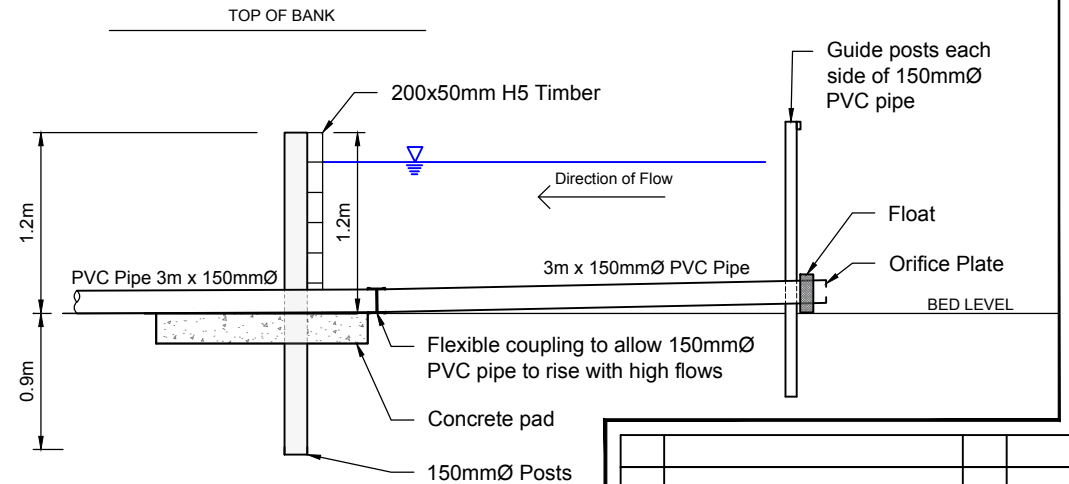


**WEIR PLAN VIEW**  
SCALE 1:50



**DOWNSTREAM ELEVATION**  
SCALE 1:50



**SECTION**  
SCALE 1:50

REV:	DESCRIPTION:	BY:	DATE:
A	FOR CONSENT & CONSTRUCTION	CU	13/01/21

AMENDMENTS:

**Dairy Green Ltd**  
Practical Engineering Solutions  
Consents, Effluent, Stock water, Irrigation  
Design through to Installation

INVERCARGILL OFFICE  
Ph 03 215 4381  
10 Kinloch Street,  
PO Box 5003,  
Waikivi,  
Invercargill 9843  
scandrefrural@xtra.co.nz

SITE:  
**WHAKAMANA te WAITUNA TRUST - FOVEAUX INVESTMENTS**

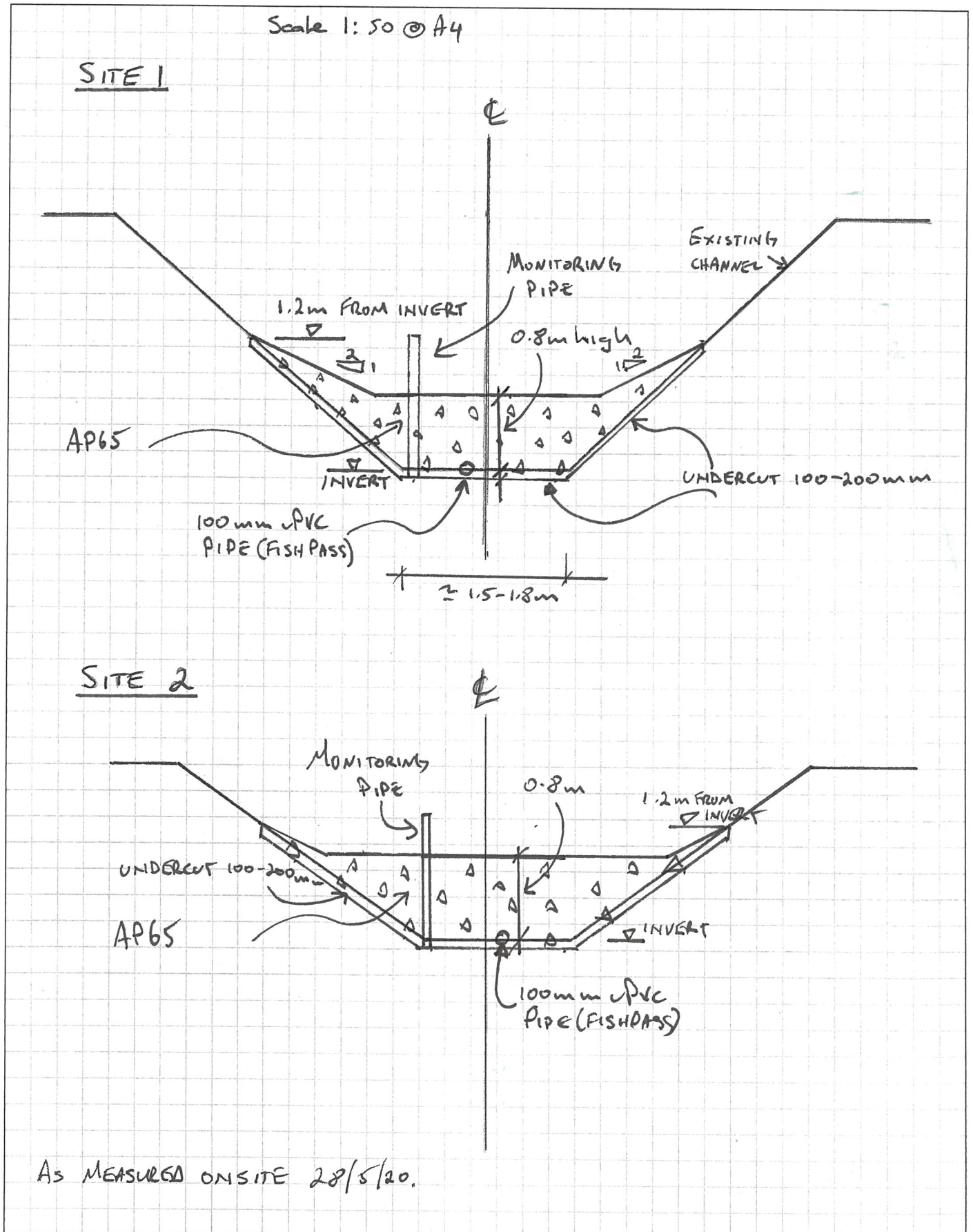
TITLE:  
**WEIR DETAILS**

DG - 101	WHAKAMANA	13/01/21
DRAWING NO.	PROJECT NO.	DATE.
1:50	CU	JS
SCALE AT A4.	DRAWN.	CHECKED.
		A
		REVISION.

Job Title WTW FOVEAUX TRIAL CONSULTING  
CHANNEL VIEW - DESIGN

Job No. 51396 Sheet No. 1 Revision \_\_\_\_\_

Calcs By BWR Date 15/2/21



Job Title WTW FOVEAUX TRUTH CONSULTING  
LONG SECTION VIEW - TYPICAL

Job No. 51396 Sheet No. 1 Revision \_\_\_\_\_

Calcs By OUR Date 28/3/21

